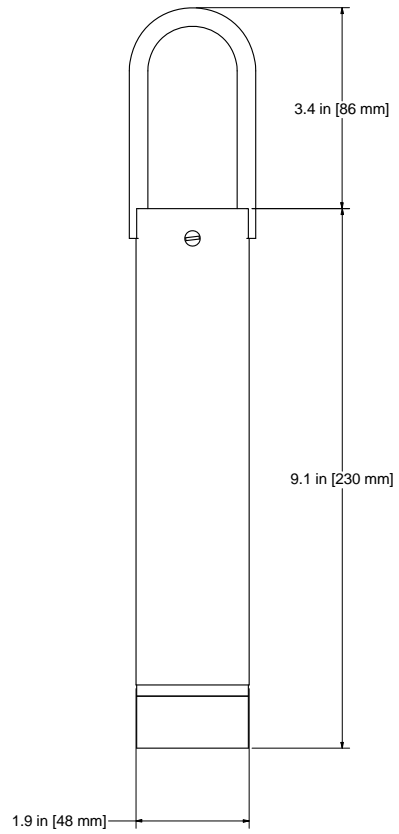
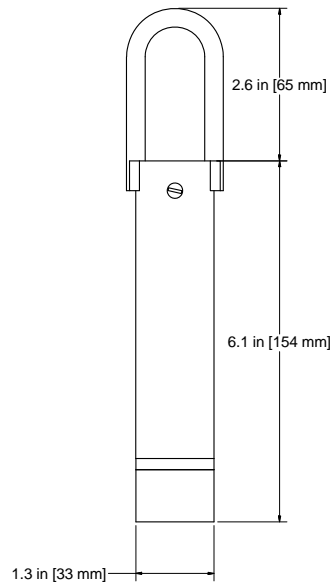


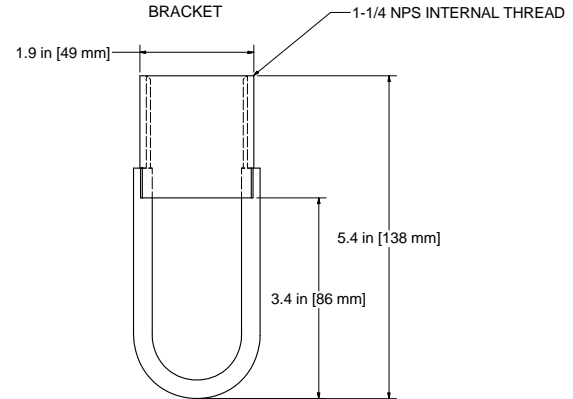
CT-201G
STANDARD
PROBE



CT-200G
COMPACT
PROBE




CT-400
MOUNTING
BRACKET



CT-500
S-HOOK

DIMENSIONS ARE FOR REFERENCE ONLY, AND ARE SUBJECT TO CHANGE WITHOUT NOTICE.

DRAWN GL	7/18/2013	 Conveyor Components Company <small>Division of Material Control, Inc. 130 Seltzer Road, Crosswile, Michigan 48422 U.S.A.</small>	
CHECKED		TITLE	
APPROVED JK	7/30/2013	CT-G PROBE PRODUCT DRAWING	
PART		Drawing is computer generated, and print might not be to scale.	
THIS PRINT IS PROPERTY OF CONVEYOR COMPONENTS CO., AND MAY NOT BE USED IN WHOLE OR PART WITHOUT WRITTEN PERMISSION.		SIZE D	DWG NO D0020078.dwg
		SCALE	SHEET 1 OF 1